

# HF55-DPDISH-27

IO 5 GHz UBR Dual Polarised Dish Antenna, 27 dBi, with N(Male) connectors



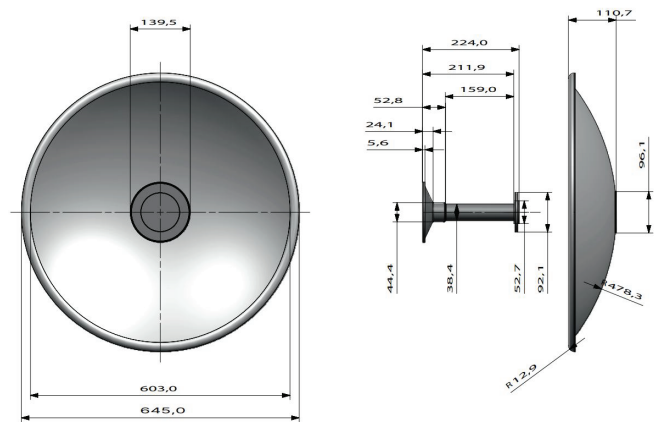
## Electrical Parameters

Frequency (MHz)	5150 - 5900
Gain (dBi)	2 x 27 ± 0.5
VSWR (Max)	< 1.5
H Plane BW (°)	6±0.5
E Plane BW (°)	6±0.5
Polarization	Horizontal and Vertical
Port to Port Isolation (dB)	> 30
Max. Power Handling (Watts)	100
Impedance (Ω)	50
Front to Back Ratio (dB)	> 30
Cross Polar Ratio (dB) CPD	> 22
Connector Termination	2 x N (M) Connector with 1 mtr 0.141 semirigid extended cable
Lightning Protection	DC Grounded

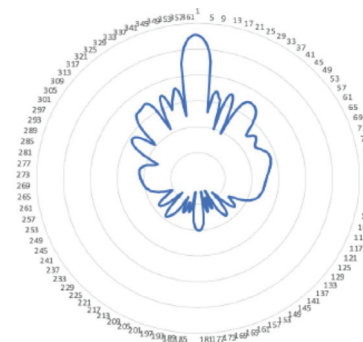
## Mechanical Parameters

Dimension (mm)	Ø 610 mm (Total OD 645 mm)
Reflector Material	CRC Steel
Finish	White Powder coated

## Mechanical Dimensions



## Radiation Pattern



## Ordering Information

Model No.	Description
HF55-DPDISH-27	IO 5 GHz UBR Dual Polarized Dish Antenna, 27 dBi, with N(Male) connectors

Last Updated March 22, 2024