

HF55-DPSEC90-17

IO 5 GHz UBR Antenna, Sector, 90° H,
7° V, 17 dBi, 2x2



Electrical Parameters

Frequency (MHz)	5180 - 5900	
Gain (dBi)	2 x 17 ± 0.5	
VSWR	1.5:1(Typ)	1.7:1(Max)
Return Loss (dB)	- 14 (Typ)	- 11(Max)
H Plane BW (°)	90±5	
E Plane BW (°)	8±1	
Polarization	V & H	
Port to Port Isolation (dB)	> 30	
Max. Power Input (Watts)	50	
Impedance (Ω)	50	
Front to Back Ratio (dB)	> 30	
Cross Polarization (dB)	> 25	
Connector Termination	2 x N(F)	
Lightning Protection	DC Grounded	

Environmental Parameters

Temperature Range (°C)	(-) 40 to (+) 70
Wind Speed (km/hr)	200 (Survival) 150 (Operational)
Humidity	95% No Condensation
IP Rating	IP 67

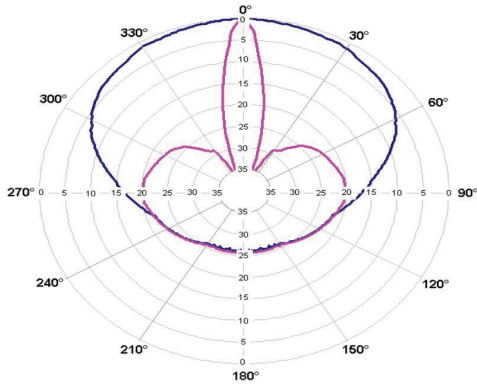
Mechanical Parameters

Dimension (mm)	459 X 130 X 54	
Gross Weight (Kg)	≈ 2.5 ± 0.5	
Radome	PVC	
Mounting Hardware	SS 304	
Mounting Style	Pole	
Supporting Pole Diameter	30 - 70 mm	
Mounting Adjustment	Azimuth ±180°	Elevation ±15°

Cable Assembly Details

Cable Type	0.141 Semi Rigid	
Connector Type	N Male	
Connector Qty	2 (Assembled on each side)	
Cable Length	1 mtr	
Cable color	Blue (Outer Jacket)	
No. Of Cable Assemblies	2	

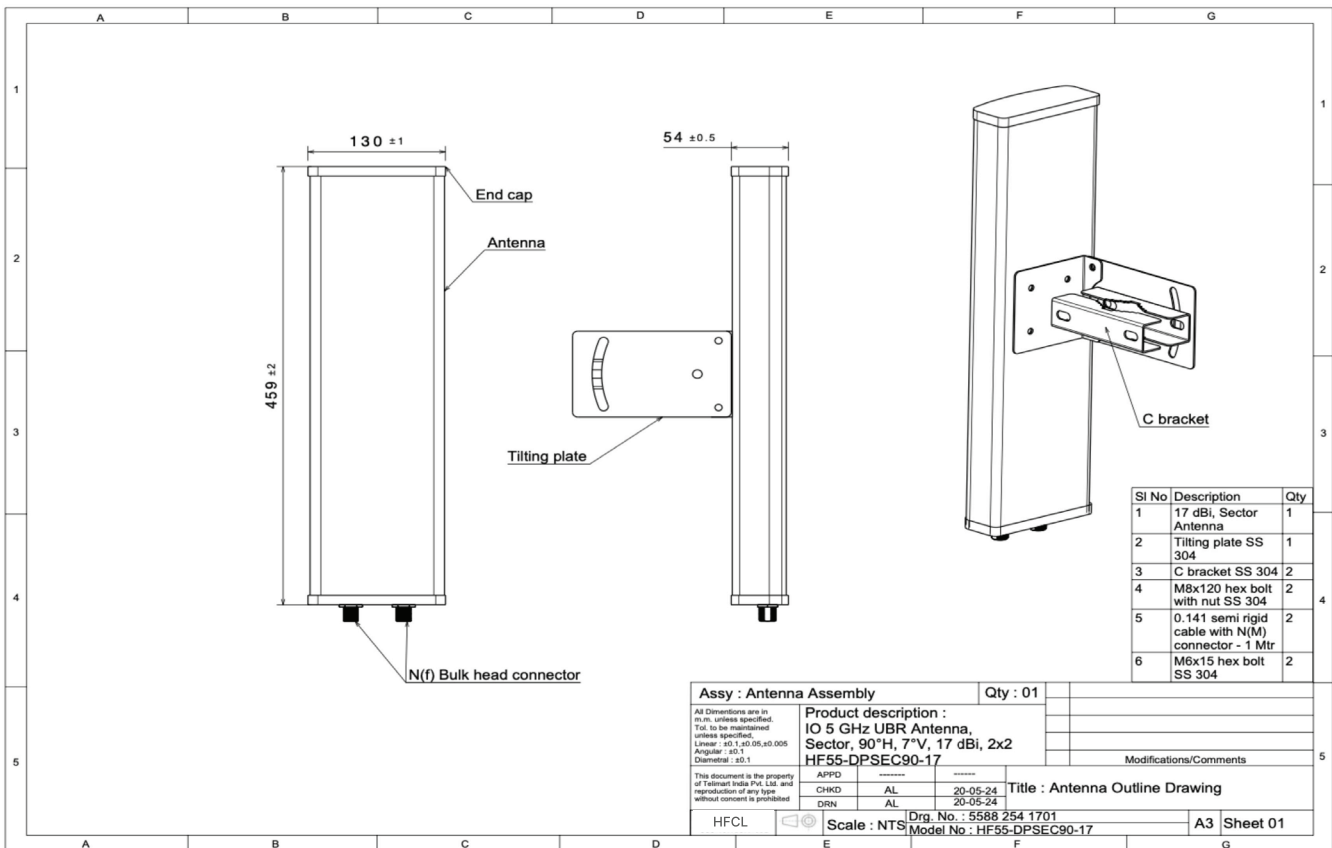
Radiation Pattern



Typical Radiation Pattern

Radiation Pattern Blue=H-Plane, Magenta= E-Plane

Mechanical Dimensions



Ordering Information

Model No.	Description
HF55-DPSEC90-17	IO 5 GHz UBR Antenna, Sector, 90° H, 7° V, 17 dBi, 2x2

Last Updated May 30, 2024



Suite 2101, Bahrain Financial Tower (West Tower)
P.O. Box 2591, Kingdom of Bahrain

☎ 17565171 📧 17565171 ✉ enquiries@northstar-telecom.net

www.northstar-telecom.net